

HQS-3527-120LED-19.2W-WWCW series

Professional LED strip LED 19.2W/m, color adjustment from WW to CW



■ Features:

- Can be cut every 2.5cm segment(3 LEDs in segment) – 12V model
- Can be cut every 5cm segment(6 LEDs in segment) – 24V model
 - Enhanced 3527 LEDs
 - Easy installation with 3M adhesive tape
- Possibility of color adjustment from WW(2700K) to CW(6500K)

■ Applications:

- Curve line lighting
- Freeze lighting
- Light bar applications

MODEL ENCODING

HQS	-	3527	-	120LED	-	19.2W	-	WWCW	-	Y
Seria	-	LED Chip	-	Number of diod per 1mb	-	Power per 1m	-	Colour	-	Voltage
										- BLANK 12V
										- 24V 24V

ELECTRICAL SPECIFICATION

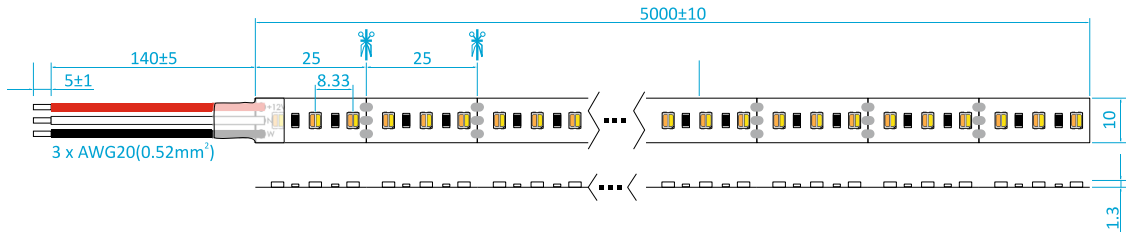
MODEL	HQS-3527-120LED-19.2W-WWCW	HQS-3527-120LED-19.2W-WWCW-24V
Chip	3527	
Supply voltage	12V ± 0.5VDC	24V ± 0.5VDC
Current and Power per 1m	1600mA; 19.2W	800mA; 19.2W
Current and Power per reel (5m)	8A; 96W	4A; 96W
CCT (Correlated Color Temperature) - range	2 700K ÷ 6 500K	
Beam Angle	120°	
Luminous Flux per meter and per watt	1730lm ÷ 1920lm/ m	
CRI	Ra = 70	
Maximum length for one sided supply	5m	
IP protection degree	IP33	
Working and storage temperature	-25°C ÷ +50°C; -25°C ÷ +60°C	
Cut Section	25mm	
Connection wire	3xAWG20(0.52mm ²) stranded wire, length = 140mm; V+: red; N(cold): black; W(warm): white	
Dimensions (L * W * H)	5000 * 10 * 1.3mm	
Packing	5m/roll(bag); 50pcs/ctn; ctn dimensions: 45x25x25.6cm	

HQS-3527-120LED-19.2W-WWCW series

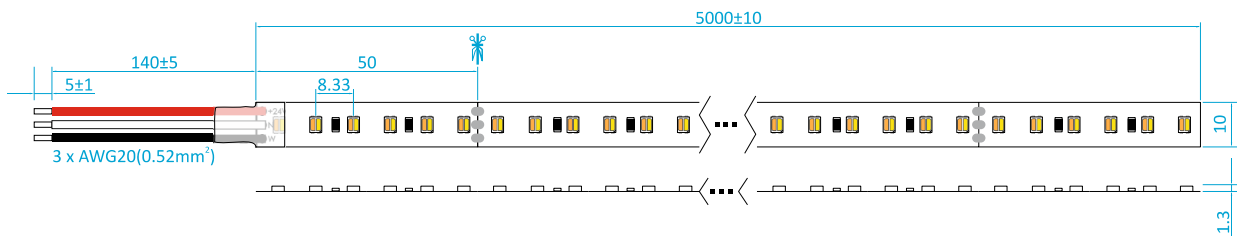
Professional LED strip LED 19.2W/m, color adjustment from WW to CW



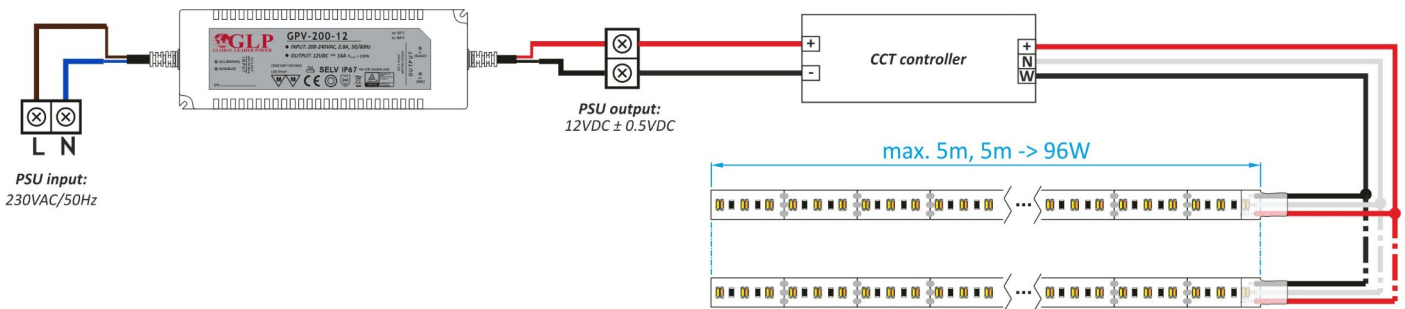
MECHANICAL SPECIFICATION - 12V



MECHANICAL SPECIFICATION - 24V



SUPPLY - 12V



2 SUPPLY - 24V

